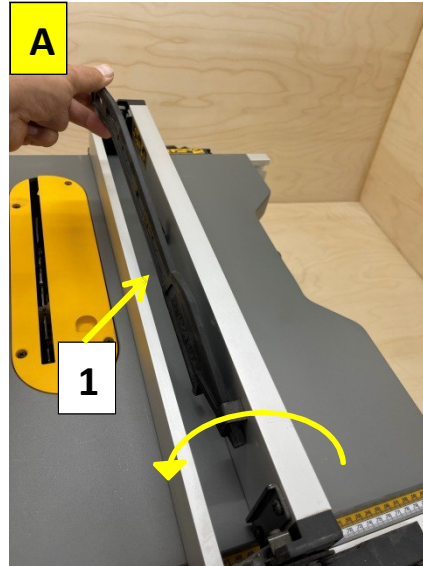
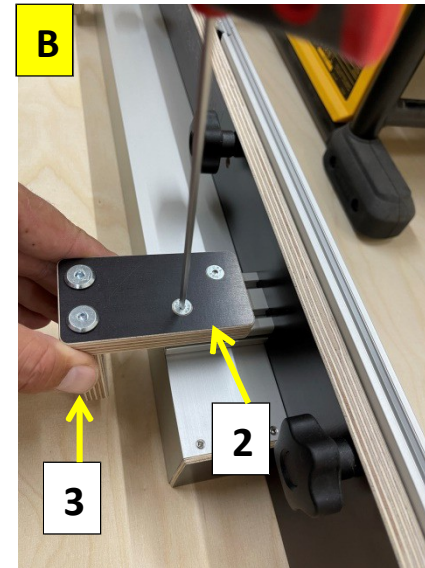


Assembly instructions:

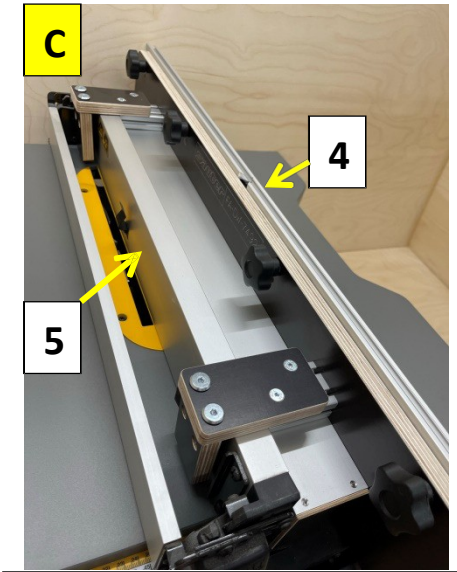
Router fence iA-FA-7492



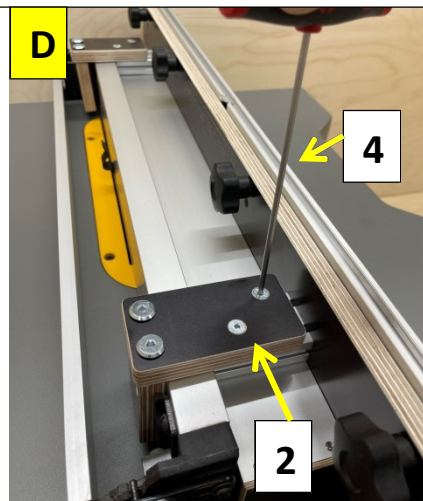
Remove the push stick (1) and fold the parallel depth stop to the saw side



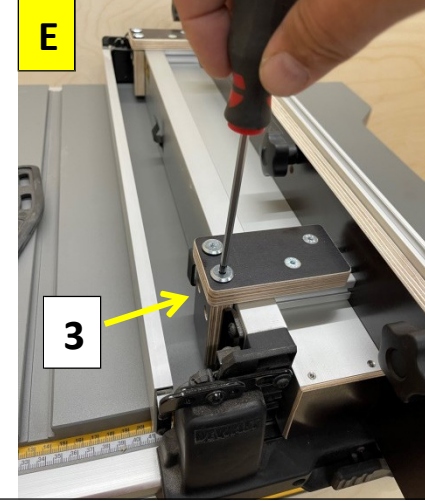
Loosen the screws of the Holding brackets (2) and the clamping brackets (3)



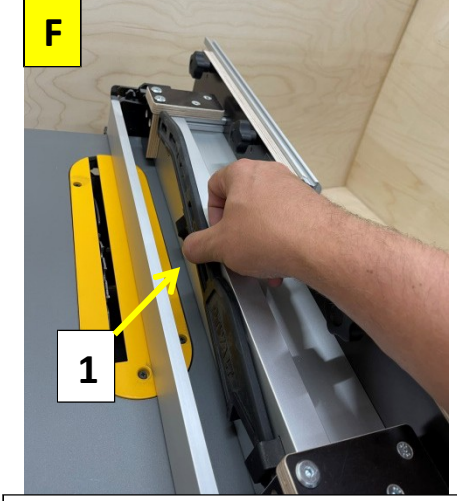
Set the router fence (4) as follows shown on the parallel fence of the saw (5)



Press the router fence (4) and push the holding blocks (2) against the parallel fence. Tighten the screws of the holding brackets (2) firmly on



Tighten the screws of the Tighten the clamping brackets (3)
It should no longer be possible to move the fence



The push stick (1) can be reinserted. Once all screws have been firmly tightend, the fence is ready for operation.

Sauter GmbH
Arzbergerstraße 4
82211 Herrsching

TEL [+49] 08152 92898-0
e-mail:
info@sautershop.com
www.sautershop.com